

RE KNX LE2

Wireless Dimmer for LED Strips

Description

- Dimmer for 1-channel LED strips
- Power supply: 12Vdc ~ 48Vdc
- PWM dimming technology
- Memory function
- Pushbutton control or by RF remote control (RC KNX 001)
- Maximum load: 8A



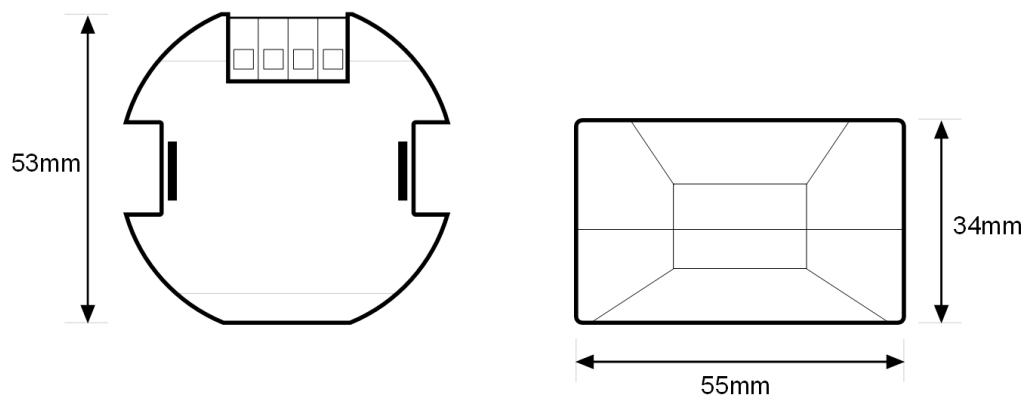
Technical Characteristics

Reference	RE KNX LE2
Power Supply	12Vcc ~ 48Vcc
Consumption	<12mA
Type of Load	One-color LED Strips
Maximum Load	8A
Control	Wireless or / and wired pushbutton
Maximum Number of Pushbuttons	Unlimited (No lighted)
Minimum Dimming Level	Adjustable
Mounting	Mechanism box
Dimensions	55 x 53 x 34mm
RF	Encoded Broadcast 868,4MHz. Alcance Scope 100m (free field)
Compatible with	RC KNX 001, PU KNX 001 y EM KNX 002
Working Temperature	0°C ~ +40°C
Protection Degree	IP20, according to UNE EN20324
Acording to the Standard	UNE EN60669-2-1

RE KNX LE2

Wireless Dimmer for LED Strips

Dimensions



Wiring Diagram

