

RE KNT RGB

4 - Channel PWM Dimming Actuator

Description

- 4-channel modular RGBW dimming actuator.
- 4 output channels, up to per channel 10A and maximum 40A .
- Modular installation device, DIN-rail mounting, 5-modules wide.
- KNX terminal connection PT1.
- Protected against overload, short-circuits and over-heating.
- Programming by ETS4 or later version.



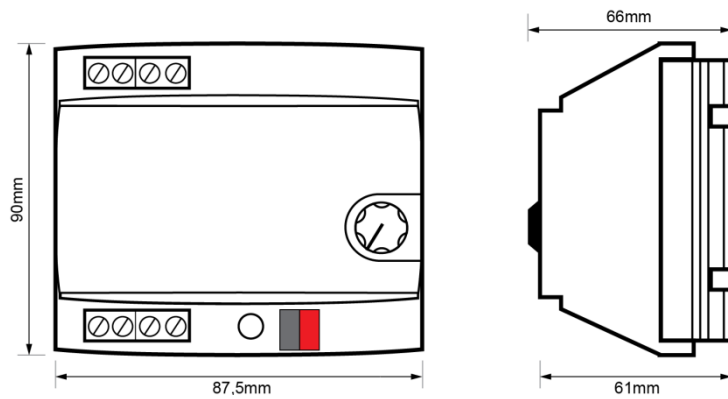
Technical Characteristics

Reference	RE KNT RGB
Power Supply	12Vdc ~ 48Vdc
Supply from KNX	21 ~ 32Vdc (via bus)
Programming by	ETS4 ó ETS5
Valid for	LED Strip, RGB ó RGBW
Maximum charge	10A per channel, 40A maximum.
Channels	4
Start up	System Mode
Dimensions	5 modules of wide
Working Temperature	-5°C ~ +45°C
Protection Degree	IP20, (EN60529)
According with Directives	Security 2014/35/UE EMC 2014/30/UE
According to the Standard	KNX Standard 2.0 EN60669-1, 2-1, 2-3

RE KNT RGB

4 - Channel PWM Dimming Actuator

Dimensions



Wiring Diagram

· Installation with LED RGBW strip:

