

| Description         | Colour | Part number | EAN number    |
|---------------------|--------|-------------|---------------|
| PD11-KNX-FLAT-DX-FC | white  | 93392       | 4007529933921 |



FC

| Accessory                  | Colour | Part number | EAN number    |
|----------------------------|--------|-------------|---------------|
| IR-Adapter for Smartphones | black  | 92726       | 4007529927265 |
| IR-PD-KNX                  |        | 92123       | 4007529921232 |
| IR-PD-KNX-Mini             |        | 93398       | 4007529933983 |
| IR-LM Infrared Luxmeter    |        | 93030       | 4007529930302 |
| Cover ring PD11            | black  | 92537       | 4007529925377 |

■ TECHNICAL DATA

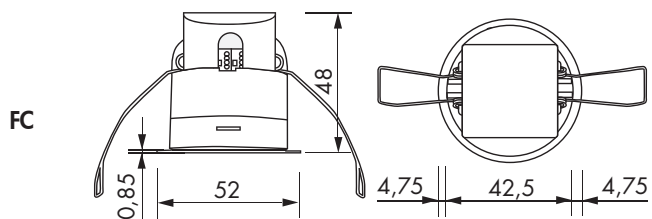
|                                      |  |
|--------------------------------------|--|
| <b>Voltage:</b>                      | 24 V DC via KNX BUS  |
| <b>typ. power input:</b>             | 12 mA  |
| <b>Detection area:</b>               | 360°   |
| <b>Recommended mounting height:</b>  | 2.5 m  |
| <b>Range:</b>                        | max. Ø 9 m across<br>max. Ø 6 m towards<br>max. Ø 3 m smaller movements  |
| <b>Degree / class of protection:</b> | IP54 / Class II  |
| <b>Operation mode:</b>               | Intelligent semi-automatic mode, Occupancy-independent regulating mode (photoelectric switch), Full automatic mode |
| <b>HVAC operation modes:</b>         | 1=Comfort, 2=Standby, 3=Economy, 4=Heat protection   |
| <b>Ambient temperature:</b>          | -5 °C to +45 °C  |
| <b>Temperature measuring range:</b>  | -5 °C to +45 °C  |
| <b>Housing:</b>                      | Polycarbonate, UV-resistant  |
| <b>Number of PIR sensors:</b>        | 1  |
| <b>Remote control-capable:</b>       | IR-Adapter for Smartphones, IR-PD-KNX, IR-PD-KNX-Mini  |
| <b>Outputs:</b>                      | 1x light (for regulating or switching), 1x Slave, 3 separate HVAC outputs  |
| <b>Orientation light:</b>            | 10 % - 100 % / OFF / 1 min - 255 min   |
| <b>Night light:</b>                  | 10 % - 100 %   |
| <b>Brightness set value:</b>         | 5 - 2000 Lux   |

**i** PRODUCT INFORMATION

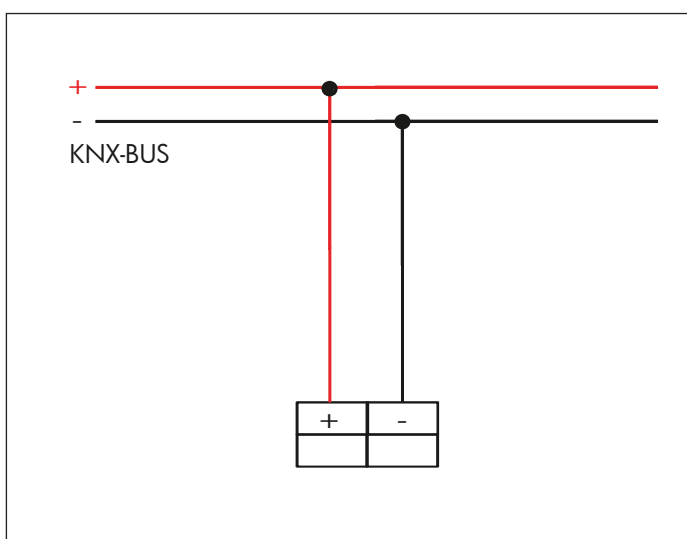
- Low profile KNX occupancy detector with integrated KNX bus connector
- Individual adaption of the motion sensor sensitivity
- Detection area can be extended thanks to master-slave-mode
- Extensive optimization options for light measurement
- Measured light value is communicated to the bus
- Adaption of dimming curve
- Measuring of mixed light thanks to internal light sensor
- Determination of the reflection factor, e.g. on a desk, with the optional Infrared Luxmeter IR-LM
- Remote control capable (IR) via B.E.G. LUXOMAT® Remote Control App for Smartphones (IR-Adapter required)
- PIN code
- IR remote control-capable via IR remote control (optionally)
- IR remote control-capable via 5 button remote control, programmable at choice (accessory)
- Programming button (phys. address) can be operated via remote control
- Regulation/switching of three light groups via offset (external influence possible)
- Manual influence via external KNX push buttons possible
- Function control (heartbeat, cyclical sending)
- Short presence, self-adjusting follow-up time
- Occupancy simulation
- Forced switch-off
- Two logic modules
- Intelligent central-off function
- Recall of light scenes
- Premonition of switch-off
- Behaviour upon bus voltage return definable at choice
- Variable safety pause after switching off the lights
- Temperature- and noise sensor
- Settings ex ETS 4 for integration in KNX systems
- The product database for import into the ETS database can be downloaded from the B.E.G. homepage.
- Spring clips for quick and easy installation in suspended ceilings
- Clip ring for installation in lights and blinds included

# B.E.G. LUXOMAT<sup>®</sup> net PD11-KNX-FLAT-DX

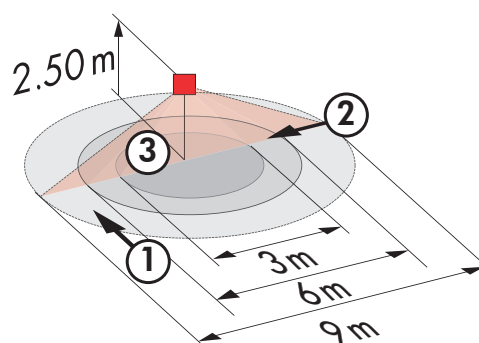
## DIMENSIONS DRAWING



## WIRING DIAGRAM



## RANGE DIAGRAM



- ① Walking across
- ② Walking towards
- ③ Smaller movements